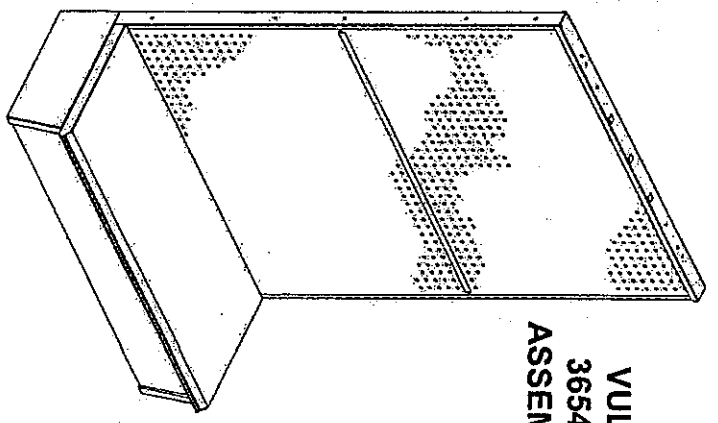
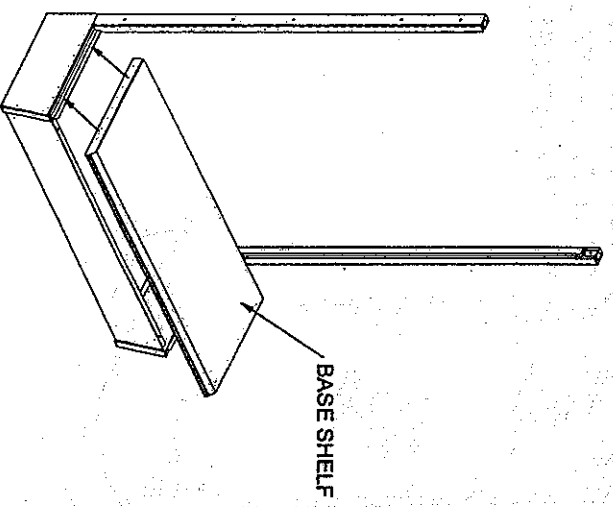
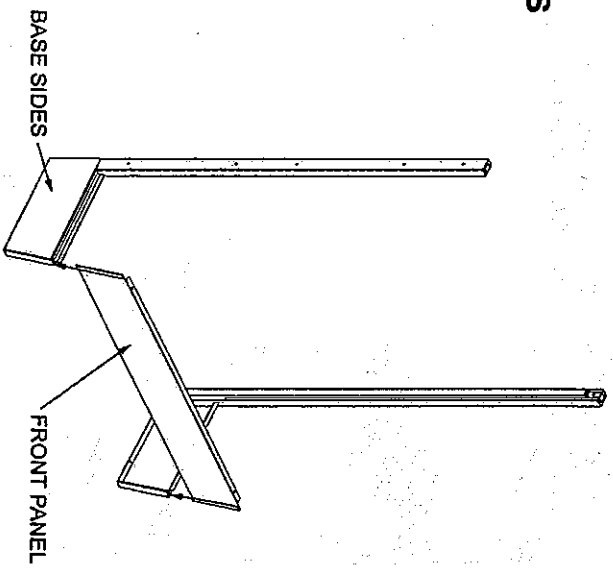


**VULCAN INDUSTRIES
3654 & 4854 GONDOLA
ASSEMBLY INSTRUCTIONS**

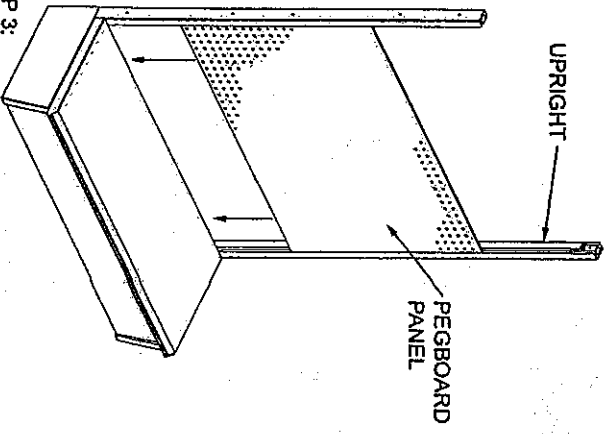
STEP 1:
INSERT THE FRONT PANEL INTO THE
FRONT BASE SIDES AS SHOWN.



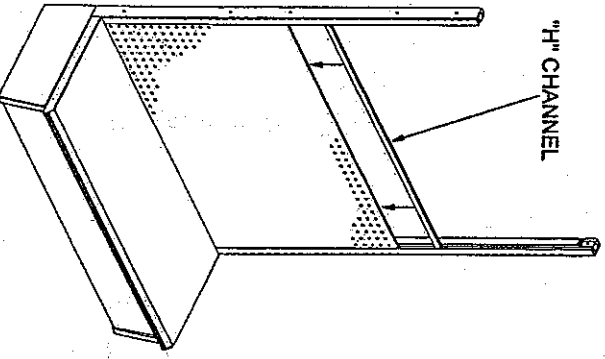
STEP 2:
PLACE THE BOTTOM SHELF ON THE
BASE SIDES AS SHOWN.



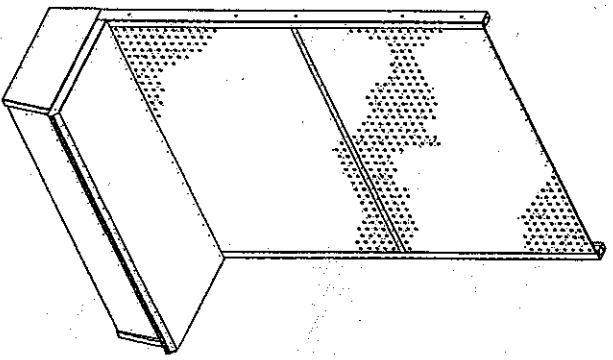
STEP 3:
INSERT ONE OF THE TWO PEGBOARD
PANELS INTO THE TRACK IN THE UPRIGHTS
AND SLIDE DOWN UNTIL IT RESTS IN THE
CHANNEL IN THE BACK OF THE BASE SHELF.



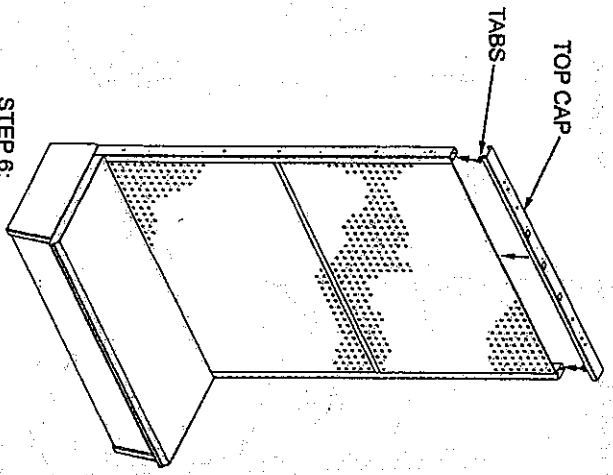
STEP 4:
PLACE THE "H" CHANNEL ON TOP
OF THE PEGBOARD PANEL.



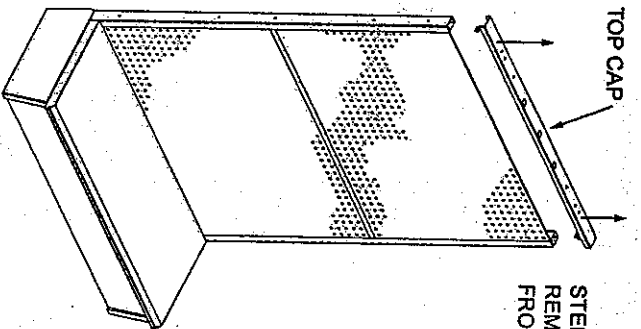
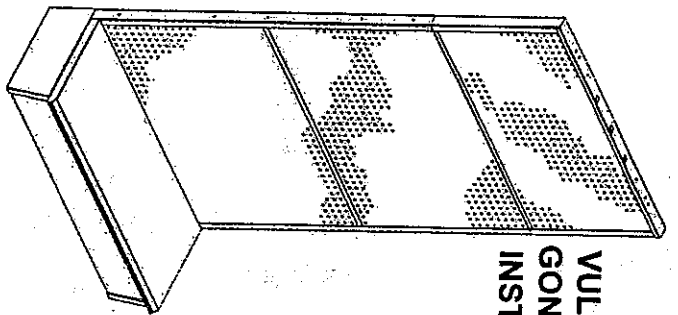
STEP 5:
INSERT THE SECOND PEGBOARD
PANEL.



STEP 6:
TO ATTACH TOP CAP, BEND TABS
DOWN TO THE CORRECT POSITION
AND PLACE OVER THE TOP OF THE
UNIT AS SHOWN.



**VULCAN INDUSTRIES
GONDOLA EXTENDER
INSTRUCTION SHEET**

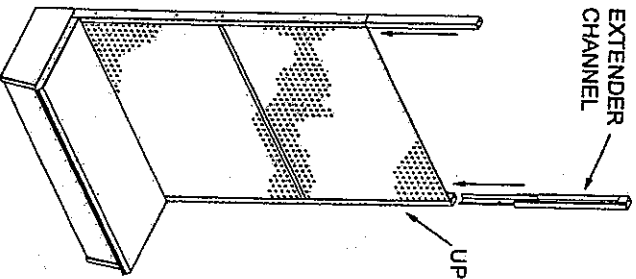


STEP 1:
REMOVE THE TOP CAP
FROM THE GONDOLA.

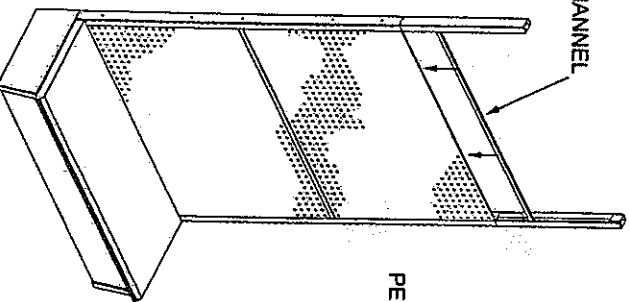
EXTENDER
CHANNEL

UPRIGHT

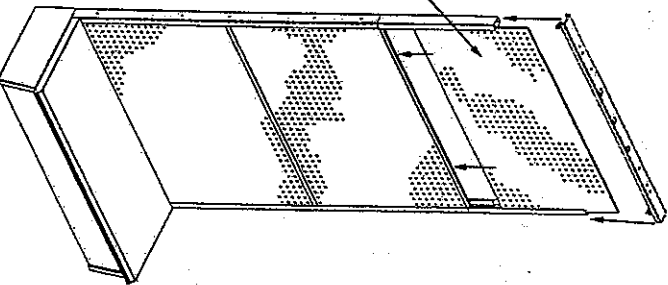
"H" CHANNEL



STEP 2:
INSERT THE EXTENDER
CHANNELS INTO THE UPRIGHTS
AS SHOWN.

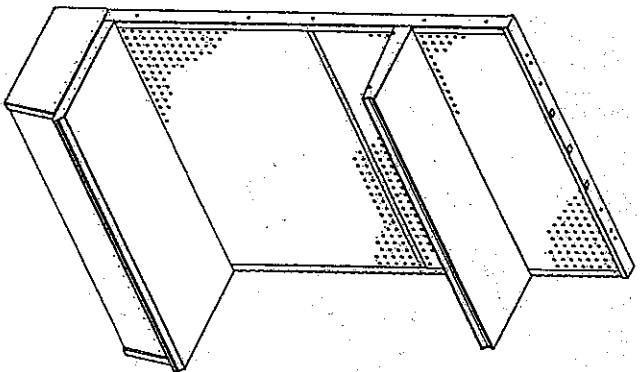


STEP 3:
PLACE THE PLASTIC "H" CHANNEL
OVER THE PEGBOARD AS SHOWN.



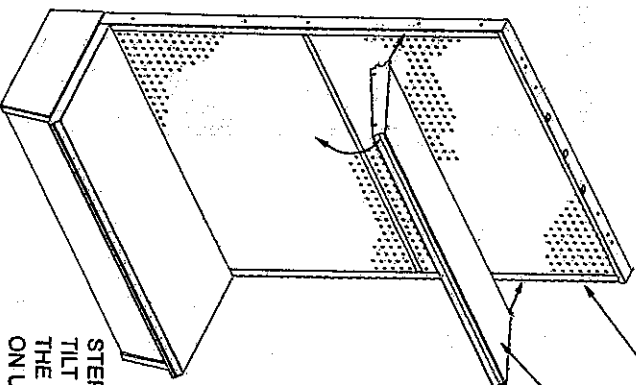
STEP 4:
SLIDE THE PEGBOARD INTO
PLACE AND REPLACE THE
TOP CAP AS SHOWN.

**VULCAN INDUSTRIES
GONDOLA SHELF
INSTRUCTION SHEET**



GONDOLA UPRIGHT

SHELF



STEP 1:
TILT THE SHELF UP AND INSERT
THE SHELF INTO THE SLOTS
ON UPRIGHTS AND ROTATE THE
SHELF INTO PLACE AND SECURE
IN PLACE. (NOTE: IT IS BEST TO
START WITH THE LOWEST SHELF
AND WORK UP.)

